

BS,C ,201843,589

D

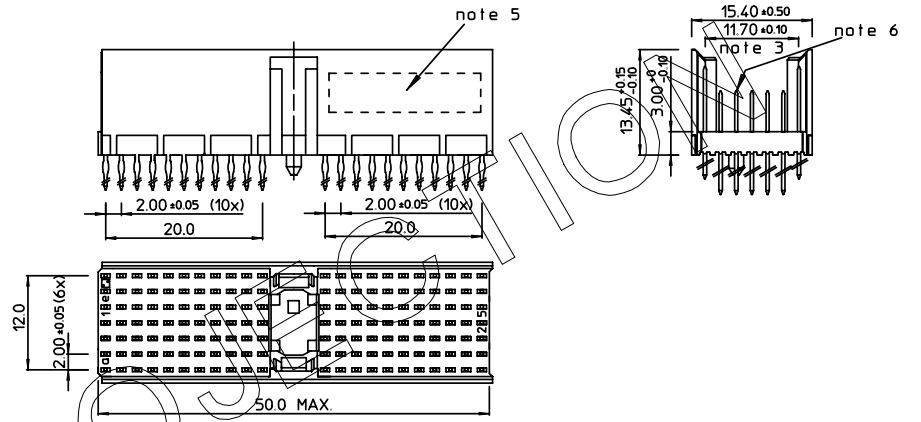
GEN. ST.	01		02		03		04		05		06		07		08		0D		50		60		70		80		90				
INT. ST.	10	11	12	13	14	18	20	31	32	33	34	38	39	40	42	43	44	45	46	48	56	70	72	73	75	76	81	82	83	84	88

REV.	DATE	DESCRIPTION	BY	C'K'D'
A	2001-09-14	CONVERSION REVISION 02	KN	
B	2002-05-28	EC B20086	NF	
C	2005-10-17	I05-0196	ALEX B	BKP
D	2006-07-12	I06-0110	VIVEK	BKP

LOADING PATTERN MATING SIDE

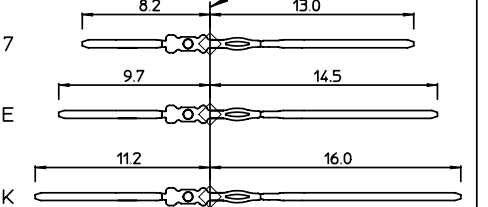
f	K	K	K	K	K	O	O	O	O	O	O	/										K	K	K	K	K	K	K	K	K	K	K	
e	E	E	E	E	K	O	O	E	O	O	K	/										E	E	E	E	E	E	E	E	E	E	K	E
d	E	E	E	E	E	O	O	O	O	O	O	/										K	K	K	K	K	K	K	K	K	E	E	
c	E	E	7	E	E	O	O	O	O	O	O	/										E	E	E	E	E	E	E	E	E	E	E	
b	E	E	E	E	E	O	O	O	O	O	O	/										E	E	E	E	E	E	E	E	E	E	E	
a	E	E	E	E	K	O	O	E	O	O	K	/										E	E	E	E	E	E	E	E	E	E	E	
z	O	O	O	O	O	O	O	O	O	O	O	/										O	O	O	O	O	O	O	O	O	O	O	
P	0	1	5	1	0	1	5	2	0	2	5	/										1	5	0	1	5	2	0	2	5			

LOADED CONNECTOR ASSEMBLY (FOR EXAMPLE)

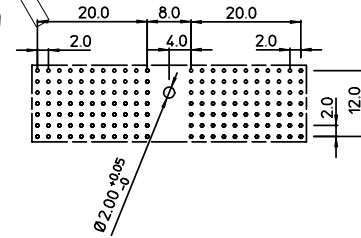


SHEET NR. : 689

CONTACT OVERVIEW



LAY-OUT P.C.B.-HOLE



LEAD FREE INDICATOR : LF = LEAD FREE (DIGIT 15 & 16)

HM2P07PNW1G5

PLATING CODE (DIGIT 13 AND 14) (REF DWG No. BS,C ,201844,003)

NOTES:

- 1. THIS PRODUCT IS CSA APPROVED.
- 2. THIS PRODUCT IS UL RECOGNIZED.
- 3. MEASURED AT THE BOTTOM.
- 4. MATERIAL CONTACT: PHOSPHORBRONZE
HOUSING: CREAM WHITE GLASSFILLED POLYESTER UL-94V0
- 5. CONNECTOR PRINTED WITH P/N AND DATE CODE.
- 6. FOR ACTUAL CONTACT LOADINGS, SEE LOADING PATTERN MATING SIDE.
- 7. SHAPE OF CONNECTOR HOUSING CAN ALTER DEPENDING ON PRODUCTION LOCATION.
- 8. THE PRODUCT (LF) MEETS EUROPEAN UNION DIRECTIVES AND OTHER COUNTRY REGULATIONS AS DESCRIBED IN GS-22-008
- 9. FOR RECOMMENDED PTH DIMENSIONS REFER DRAWING : BS,A ,201572,001

EUROPEAN PRO

1DEC ±0.2 2DEC ±0.1 ANGLES ±1°	APPR.	DATE	SIGN.	LOADING PATTERN OVERVIEW
	DRAFT	1998-07-07	M.Frel	
WE RESERVE THE RIGHT TO CHANGE DIMENSIONS OR REQUIREMENTS WITHOUT PRIOR NOTICE. ALL DIMENSIONS IN MM	CHECKED			CAT. No. HM2P07PNW1G5----
	PROD. MGR.			
	PR. ENG. MGR.			
	PR. MGT. MGR.			www.fciconnect.com

REFERENCES	SCALE

BS,C ,201843,589	D
DRAWING No.	CUSTOMER DRAWING
REVISION	

THIS IS OUR EXCLUSIVE PROPERTY. IT IS NOT TO BE COPIED, REPRINTED OR DISCLOSED TO A THIRD PARTY. NOR USED FOR MANUFACTURING WITHOUT OUR WRITTEN CONSENT, AND HAS TO BE RETURNED TO US IN CASE OF NO USAGE.

DIT IS ONZE EIGENDOM EN HAN HOCH NACHEMAAKT. HERDRIJKT. OVERGEHAAKT AAN DERDEN, NOCH VOOR FABRIKATIE GEBRUIKT WORDEN, ZONDER ONZE SCHRIFTELIJKE TOELATING. BIJ NIET GEBRUIK IS TERUGZENDING VERPLICHT.